

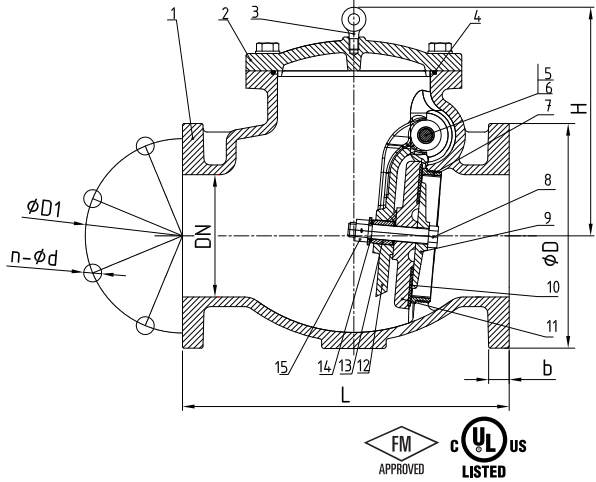


# Swing Check Valve - Flanged

## SCF

### Technical Features

- **Sizes available (Nominal) :** DN50/2", DN65/2 1/2", DN80/3", DN100/4", DN150/6", DN200/8", DN250/10" and DN300/12"
- **Pressure data :**  
Working Pressure : 21 bar (300 psi).
- **Working Temperature :** 0.0°C to 80.0°C
- **Seat Type :** Bronze clapper face ring and valve body seat
- **Finish :** Fusion bonded epoxy coated interior & exterior
- **Connections :** Flange diameter and thickness according to ANSI B16.1 Class 125, EN1092-2 PN10 or EN1092-2 PN16
- **Specifications :** Complys with AWWA C508, clear water-way design.



Check Valves

### Swing Check Valve - Flanged - SCF

### Physical Data

Nominal Pipe Size	Dimensions (mm)									Reference*			Weight (kg)		
	Metric	inch	L	D	b	H	D1		n-ØL			ANSI		PN10	PN16
DN50	2"	203	152	16	133	120.5	125	4-Ø19.1			SCF-0200	SCF-0200PN		11.2	
DN65	2 1/2"	254	178	17.5	150	139.5	145	4-Ø19.1			SCF-0250	SCF-0250PN		16.7	
DN80	3"	279	191	19	150	152.5	160	4-Ø19.1	8-Ø19.1		SCF-0300	SCF-0300PN		22.5	
DN100	4"	330	229	24	218	190.5	180	8-Ø19.1	8-Ø19.1		SCF-0400	SCF-0400PN		34.9	
DN150	6"	406	279	25.5	290	241.5	240	8-Ø22.2	8-Ø23		SCF-0600			65.2	
DN200	8"	495	343	28.5	330	298.5	295	8-Ø22.2	12-Ø23	8-Ø23	SCF-0800	SCF-0800PN10	SCF-0800PN16	120.7	
DN250	10"	622	406	30.5	350	362	355	350	12-Ø25.4	12-Ø28	12-Ø23	SCF-1000	SCF-1000PN10	SCF-1000PN16	180.9
DN300	12"	660	483	32	375	432	410	400	12-Ø25.4	12-Ø28	12-Ø23	SCF-1200	SCF-1200PN10	SCF-1200PN16	242.3

\* Valve flange drilling (size and location of bolt holes and pitch circle diameter) allows mating with the following flange types. \*\* Not UL or FM

ANSI = ANSI B16.1      PN10 = DIN 2501, EN 1092 - PN10      PN16 = DIN 2501, EN 1092 - PN16

### Swing Check Valve - Flanged - SCF

### Materials List

Item	Description	Material	ASTM Specifications
1	Body	Ductile Iron	ASTM A536 65-45-12
2	Bonnet	Ductile Iron	ASTM A536 65-45-12
3	Eyebolt	Zinc Plated Carbon Steel	
4	O-Ring	NBR	Commercial
5	Hinge Pin	Stainless Steel	AISI 304
6	Hinge Bushing	Brass	ASTM B36
7	Seat Ring	Bronze	ASTM B62
8	Disc Seat Bolt	Stainless Steel	AISI 304
9	Retainer Washer	Bronze	ASTM B62
10	Disc Sealing Ring	EPDM	Commercial
11	Disc	Ductile Iron	ASTM A536 65-45-12
12	Clapper Arm	Ductile Iron	ASTM A536 65-45-12
13	Stud Bushing	Brass	ASTM B36
14	O-Ring	NBR	Commercial
15	Nuts	Stainless Steel	AISI 304

