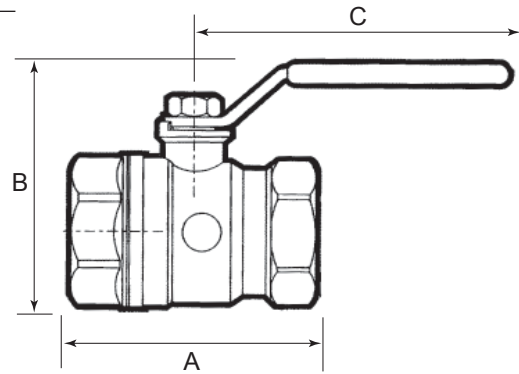


Ball Valve (Threaded), Standard Port R250D

Technical Features

- **Sizes available (Nominal) :** DN8^{1/4"}, DN10^{3/8"}, DN15^{1/2"}, DN20^{3/4"}, DN25^{1"}, DN32^{1 1/4"}, DN40^{1 1/2"}, DN50^{2"}, DN65^{2 1/2"}, DN80^{3"} and DN100^{4"}.
- **Pressure data :**
Working pressure (water) :
DN8-DN20 (1/4"-3/4") = 42 bar (600 psi).
DN25-DN50 (1"-2") = 35 bar (500 psi).
DN65-DN100 (2 1/2"-4") = 28 bar (400 psi).
- **Finish :** Chrome Plated.
- **Connections :** Female threaded BSP inlet and outlet.



Ball Valve (Threaded) Standard Port - R250D

Physical Data

Nominal Pipe Size		Dimensions (mm / inch)			Port Size (mm/in)	K _v / C _v *	Reference	Weight (kg / lbs)
Metric	inch	A	B	C				
DN8	1/4"	39 / 1	26 / 1	42 / 1	8.3 / 0.33	6.6 / 7.7	R250D0025	0.07 / 0.15
DN10	3/8"	45 / 1	32 / 1	78 / 3	10.3 / 0.41	6.7 / 7.8	R250D0037	CF / CF
DN15	1/2"	54 / 2	34 / 1	78 / 3	12.7 / 0.50	10.2 / 11.9	R250D0050	0.21 / 0.46
DN20	3/4"	62 / 2	45 / 1	96 / 31	17.9 / 0.70	18.5 / 21.6	R250D0075	0.35 / 0.77
DN25	1"	75 / 2	50 / 1	96 / 31	22.6 / 0.89	36.3 / 42.5	R250D0100	0.46 / 1.02
DN32	1 1/4"	84 / 3	54 / 2	96 / 31	28.6 / 1.13	73.5 / 86.0	R250D0125	0.79 / 1.75
DN40	1 1/2"	93 / 3	68 / 2	138 / 5	35.3 / 1.39	105 / 123.0	R250D0150	1.17 / 2.58
DN50	2"	107 / 4	74 / 2	138 / 5	45.2 / 1.78	158 / 185	R250D0200	1.60 / 3.54
DN65	2 1/2"	143 / 5	101 / 4	172 / 6	58.3 / 2.30	240 / 280	R250D0250**	1.80 / 3.98
DN80	3"	160 / 6	109 / 4	172 / 6	68.3 / 2.69	269 / 315	R250D0300**	CF / CF
DN100	4"	203 / 8	131 / 5	165 / 7	90.5 / 3.56	461 / 539	R250D0400**	CF / CF

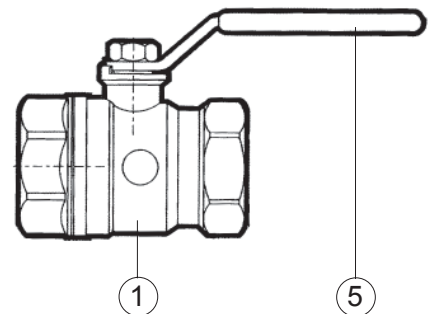
* Friction loss : K_v = Cubic metres per hour of water at 1 bar pressure drop; C_v = US gallons per minute of water at 1 psi pressure drop.

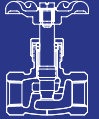
** Not UL/FM Approved

Ball Valve (Threaded) Standard Port - R250D Materials List

Item	Description	Material
1	Body	Chrome-Plated Brass
2*	Ball	Nickle and Chrome-Plated Brass
3*	Body Seal	Polytetrafluoretylen
4*	Stem Seal	Viton O-Ring and PTFE
5	Handle	Steel

* Not shown in drawing

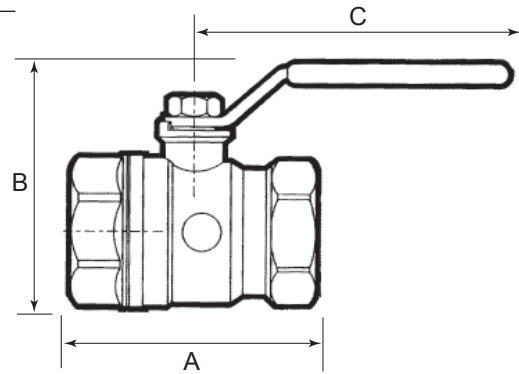




Válvula de esfera (roscada), toma estándar R250D

Características técnicas

- **Diámetros nominales:** DN8/1/4", DN10/3/8", DN15/1/2", DN20/3/4", DN25/1", DN32/1 1/4", DN40/1 1/2" DN50/2", DN65/2 1/2", DN80/3" y DN100/4".
- **Datos de presión:**
Presión de trabajo (agua):
DN8-DN20 (1/4"-3/4") = 42 bar (600 psi).
DN25-DN50 (1"-2") = 35 bar (500 psi).
DN65-DN100 (2 1/2"-4") = 28 bar (400 psi).
- **Acabado:** Cromado.
- **Conexiones:** Rosca hembra BSP a ambos lados.



Valvulería auxiliar

Válvula de esfera (roscada), toma estándar - R250D

Características físicas

Medida nominal de la tubería		Dimensiones (mm / pulg.)			Medida del puerto (mm/in)	Kv / Cv*	Referencia	Peso (kg / lbs)
Métrica	pulg.	A	B	C				
DN8	1/4"	39 / 1	26 / 1	42 / 1	8.3 / 0.33	6.6 / 7.7	R250D0025	0.07 / 0.15
DN10	3/8"	45 / 1	32 / 1	78 / 3	10.3 / 0.41	6.7 / 7.8	R250D0037	Consultar / Consultar
DN15	1/2"	54 / 2	34 / 1	78 / 3	12.7 / 0.50	10.2 / 11.9	R250D0050	0.21 / 0.46
DN20	3/4"	62 / 2	45 / 1	96 / 31	17.9 / 0.70	18.5 / 21.6	R250D0075	0.35 / 0.77
DN25	1"	75 / 2	50 / 1	96 / 31	22.6 / 0.89	36.3 / 42.5	R250D0100	0.46 / 1.02
DN32	1 1/4"	84 / 3	54 / 2	96 / 31	28.6 / 1.13	73.5 / 86.0	R250D0125	0.79 / 1.75
DN40	1 1/2"	93 / 3	68 / 2	138 / 5	35.3 / 1.39	105 / 123.0	R250D0150	1.17 / 2.58
DN50	2"	107 / 4	74 / 2	138 / 5	45.2 / 1.78	158 / 185	R250D0200	1.60 / 3.54
DN65	2 1/2"	143 / 5	101 / 4	172 / 6	58.3 / 2.30	240 / 280	R250D0250**	1.80 / 3.98
DN80	3"	160 / 6	109 / 4	172 / 6	68.3 / 2.69	269 / 315	R250D0300**	Consultar / Consultar
DN100	4"	203 / 8	131 / 5	165 / 7	90.5 / 3.56	461 / 539	R250D0400**	Consultar / Consultar

* Pérdida de carga: Kv = Metros cúbicos de agua por hora para una caída de presión de 1 bar; Cv = Galones US de agua por minuto para una caída de presión de 1 psi.

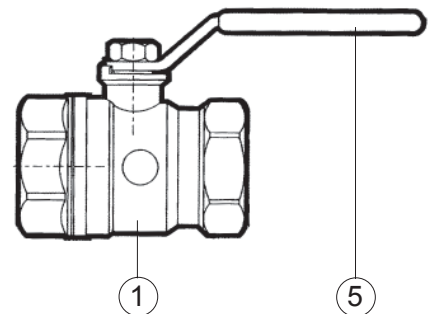
** No UL / FM de aprobación

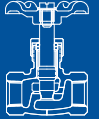
Válvula de esfera (roscada) - R250D

Materiales

Elemento	Descripción	Material
1	Cuerpo	Latón cromado
2*	Bola	Latón niquelado y cromado
3*	Sello del cuerpo	Politetrafluoroetileno
4*	Sello del husillo	Junta tórica de vitón y PTFE
5	Maneta	Acero

* No se muestra en el dibujo



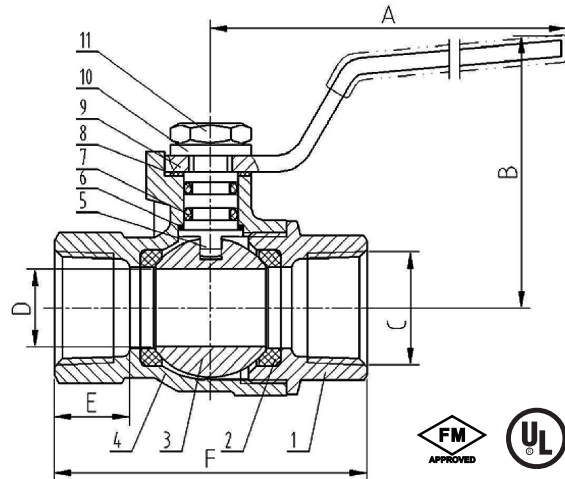


Ball Valve (Threaded), Standard Port

QB

Technical Features

- **Sizes available (Nominal) :** DN8/1/4", DN10/3/8", DN15/1/2", DN20/3/4", DN25/1", DN32/1 1/4", DN40/1 1/2", DN50/2" & DN65/2 1/2"
- **Pressure data :** Working pressure (water) : DN8-DN65 (1/4"- 2 1/2") = 42 bar (600 psi)
- **Finish :** Brass
- **Connections :** Female threaded BSP inlet and outlet



Trim Valves

Ball Valve (Threaded) Standard Port - QB

Physical Data

Nominal Pipe Size		Dimensions (mm)			Port Size (mm)	Reference	Weight (kg)
Metric	inch	A	B	C			
DN8	1/4"	42	42	60	8	QB2T700-025	0.090
DN10	3/8"	48	47	88	10	QB2T700-037	0.155
DN15	1/2"	57	52	90	14	QB2T700-050	0.216
DN20	3/4"	48	42	90	19	QB2T700-075	0.320
DN25	1"	80	49	115	24	QB2T700-100	0.550
DN32	1 1/4"	93	76	141	31	QB2T700-125	0.780
DN40	1 1/2"	95	80	141	38	QB2T700-150	1.080
DN50	2"	114	90	151	49	QB2T700-200	1.663
DN65	2 1/2"	140	123	211	64	QB2T700-250*	3.719

* Not UL/FM Approved

Ball Valve - QB

Materials List

Item	Description	Material	Specification
1	Adapter	Forged Brass	HPb59-1
2	Seats	PTFE	Commercial
3	Ball	Chromed Brass	HPb59-1 (Chrome)
4	Body	Forged Brass	HPb59-1
5	Stem	Brass	HPb59-1
6	Washer	PTFE	Commercial
7	O-ring	NBR	Commercial
8	Washer	PTFE	Commercial
9	Handle	Steel	Q235A
10	Spring Washer	Spring Steel	65Mn
11	Handle Nut	Steel	Q235A





APPROVED

Certificate of Compliance

Quick Opening Valves

This certificate is issued for the following equipment:

Ningbo Zhiqing Industrial Co Ltd, No. 12 Wai Huan (W.) Road, Yuelong Street, Ninghai County, Ningbo, 315600, China

Product Designation	Description	Nominal Pipe Size, in.	Pressure Rating, psi (kPa)	Remarks
Q11F-600TB	Ball Valve	1/4, 3/8, 1/2, 3/4, 1, 1-1/4, 1-1/2, 2	600 (4135)	a
Q61F-600TL	Ball Valve	1/2, 3/4, 1, 1-1/4, 1-1/2, 2	600 (4135)	b
Q61F-600TL2	Ball Valve	1/2, 3/4, 1, 1-1/4, 1-1/2, 2	600 (4135)	b

- a. Valve supplied with female NPT pipe thread connections.
- b. Valve supplied with solder end connections.

Approved for:

Ningbo Zhiqing Industrial Co Ltd
No. 12 Wai Huan (W.) Road, Yuelong Street
Ninghai County, Ningbo, 315600
China

FM Approvals confirms that the items have been found to comply with the following standard:

FM Approvals Standard 1140

Project Identifier: 3021893

Date of Approval: June 6, 2005


 George A. Smith
 Assistant Vice President

Date 6/6/05



An FM Global Enterprise

YRPV.MH25846
Gas Shutoff Valves

[Page Bottom](#)

Gas Shutoff Valves

[See General Information for Gas Shutoff Valves](#)**NINGBO ZHIQING INDUSTRIAL CO LTD**

MH25846

12 W WAIHUAN RD
CHENGGUAN TOWN
NINGHAI COUNTY
NINGBO, ZHEJIANG 315600 CHINA

Manual: Types Q11F-600TB2.A.I, Q11F-16.T, Q11F-600TB, Q11F-600TB2.N, Q11F-600TB2.A.15A, Q11F-600TB2.A.20A, Q₇/sub>1F.600TB₂.A.I, Q11F-600TB2.A.C., for natural and manufactured gases, maximum working pressure 250 psi.



Trademark and/or Tradename:

[Last Updated](#) on 2006-07-22[Questions?](#)[Print this page](#)[Notice of Disclaimer](#)[Page Top](#)[Copyright ?2010 Underwriters Laboratories Inc.®](#)

The appearance of a company's name or product in this database does not in itself assure that products so identified have been manufactured under UL's Follow-Up Service. Only those products bearing the UL Mark should be considered to be Listed and covered under UL's Follow-Up Service. Always look for the Mark on the product.

UL permits the reproduction of the material contained in the Online Certification Directory subject to the following conditions: 1. The Guide Information, Designs and/or Listings (files) must be presented in their entirety and in a non-misleading manner, without any manipulation of the data (or drawings). 2. The statement "Reprinted from the Online Certifications Directory with permission from Underwriters Laboratories Inc." must appear adjacent to the extracted material. In addition, the reprinted material must include a copyright notice in the following format: "Copyright © 2010 Underwriters Laboratories Inc.®"