



AVK HIGH PRESSURE, 250 PSI, DRY BARREL FIRE HYDRANT

27/00

UL/FM approved, modern type

001

AVK dry barrel hydrants are designed with a traffic flange for easy repair after collision. The hydrant's main valve has a ductile iron core which is fully encapsulated in EPDM rubber. The nozzle section can be rotated 360 degrees. The upper section of the hydrant is repairable under pressure.

Product Description:

Dry barrel hydrant - Modern type to AWWA C502 - UL listed - FM approved for fire protection application

Standards:

- Designed according to AWWA C502,
- Flange drilling to ANSI B 16.42, class 150

Test/Approvals:

- Hydraulic test to FM Class 1510, UL 246 and ULC CAN/ULC-5520-M91
- FM Approved. UL and ULC listed.

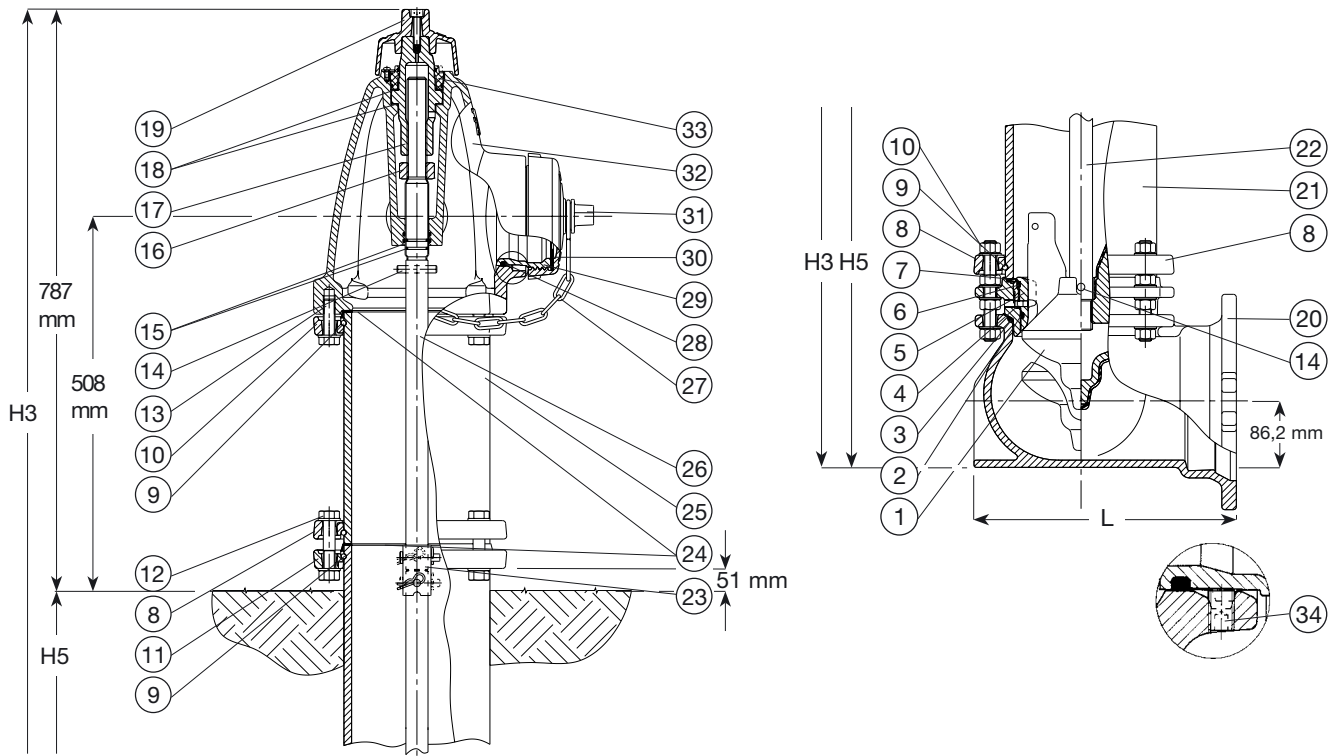
Features:

- UL/ULC listed and FM approved
- Meets or exceeds AWWA C502 (latest)
- High pressure rating (250 psi)
- 2 x 2.5" NST hose nozzles + 1 x 4" NST pumper nozzle
- The breakable flange and stem rod coupling ensure no leaking and easy repair at traffic knock down
- Ductile iron nozzle section, barrel section, bonnet, and base
- 5.25" valve opening for high flow rating
- Hydrant drain easily plugged if required - may be plugged internally or externally
- Extensions available in lengths from 6" to 60"
- Inlet shoe also available in DN 100, and flange drilling also in PN 10/16 (DN 100 not UL/FM approved)
- 1 1/2" pentagon operating nut
- Epoxy coating according to DIN 30677-2, GSK approved

Accessories:

Various outlet couplings, landing valves and extension pieces





Component List:

1. Main valve disc	Ductile iron w. EPDM rubber	2. Base gasket	NBR rubber
3. Lower seat O-ring	NBR rubber	4. Drain bushing	Bronze
5. Valve seat ring	Bronze	6. Upper seat O-ring	NBR rubber
7. Lower barrel O-ring	NBR rubber	8. Standpipe flange	Ductile iron
9. Lock ring	Stainless steel	10. Thr. rod/nut	Stainless steel
11. Breakable flange	Ductile iron	12. Bolt and nut	Stainless steel
13. Screw	Stainless steel	14. Seat removal/lock pin	Stainless steel
15. O-rings	NBR rubber	16. Stop nut	Zinc plated steel
17. Stem nut	Bronze	18. Anti friction washer	Polyamide
19. Weather shield	Grey cast iron	20. Base	Ductile iron
21. Lower barrel	Ductile iron	22. Lower stem rod	Epoxy coated steel
23. Breakable coupling	Stainless steel	24. Barrel gasket	NBR rubber
25. Upper barrel	Ductile iron	26. Upper stem rod	Stainless steel
27. Cap chain	Plated steel	28. Nozzle O-ring	NBR rubber
29. Nozzle	Bronze	30. Cap gasket	NBR rubber
31. Cap	Cast iron	32. Nozzle section	Ductile iron
33. Thrust nut	Bronze	34. Nozzle lock screw	Stainless steel

Reference Nos. and Dimensions:

AVK ref. nos	DN mm	H3 mm	H5 mm	L mm	Theoretic. weight kg
27-00-O0204-00008-CP	150	1701	914	343	154
27-00-O0205-00008-CP	150	1854	1067	343	163

The designs, materials and specifications shown are subject to change without notice. This is due to the continuous development of our product programme.

AVK ref. nos	DN mm	H3 mm	H5 mm	L mm	Theoretic. weight kg
27-00-O0206-00008-CP	150	2006	1219	343	172
27-00-O0207-00008-CP	150	2159	1372	343	181
27-00-O0208-00008-CP	150	2311	1524	343	190
27-00-O0209-00008-CP	150	2464	1677	343	199
27-00-O0210-00008-CP	150	2616	1829	343	208

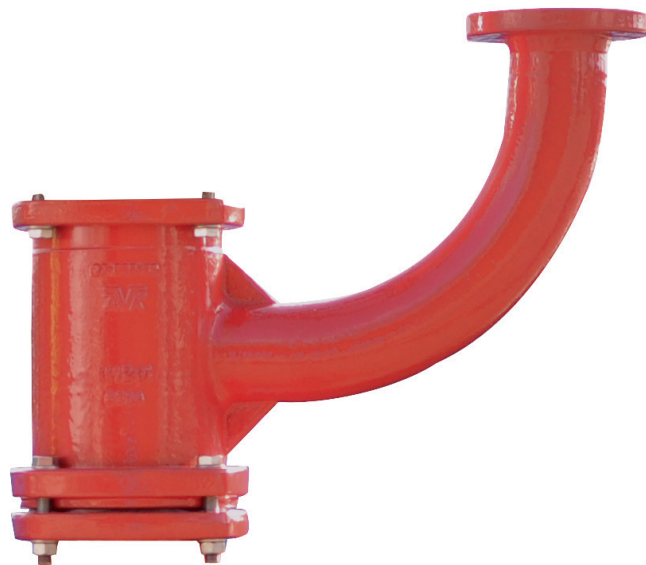


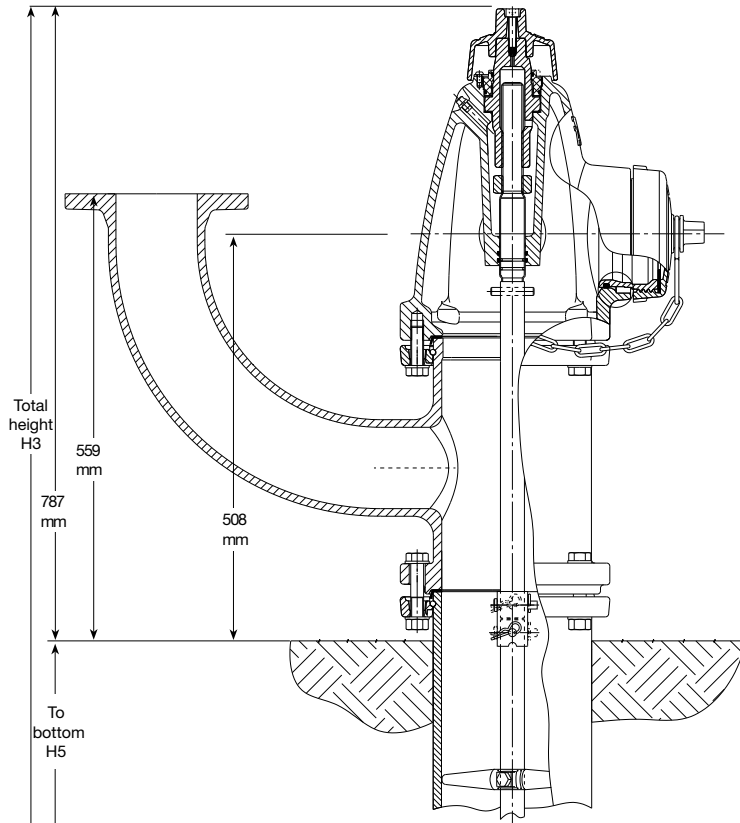
AVK MONITOR ELBOW FOR SERIES 27 HYDRANT

27/00
003

Hydrant modern type to AWWA C502, designed according to DIN/EN, Flange drilling according to ANSI B16.1 CLASS 125

Upper barrel with integrated monitor elbow for AVK series 27 dry barrel hydrant. Monitor flange in DN 80 or DN 100. Barrel and monitor elbow of ductile iron with fusion bonded epoxy coating and top coated with UV-resistant polyester.

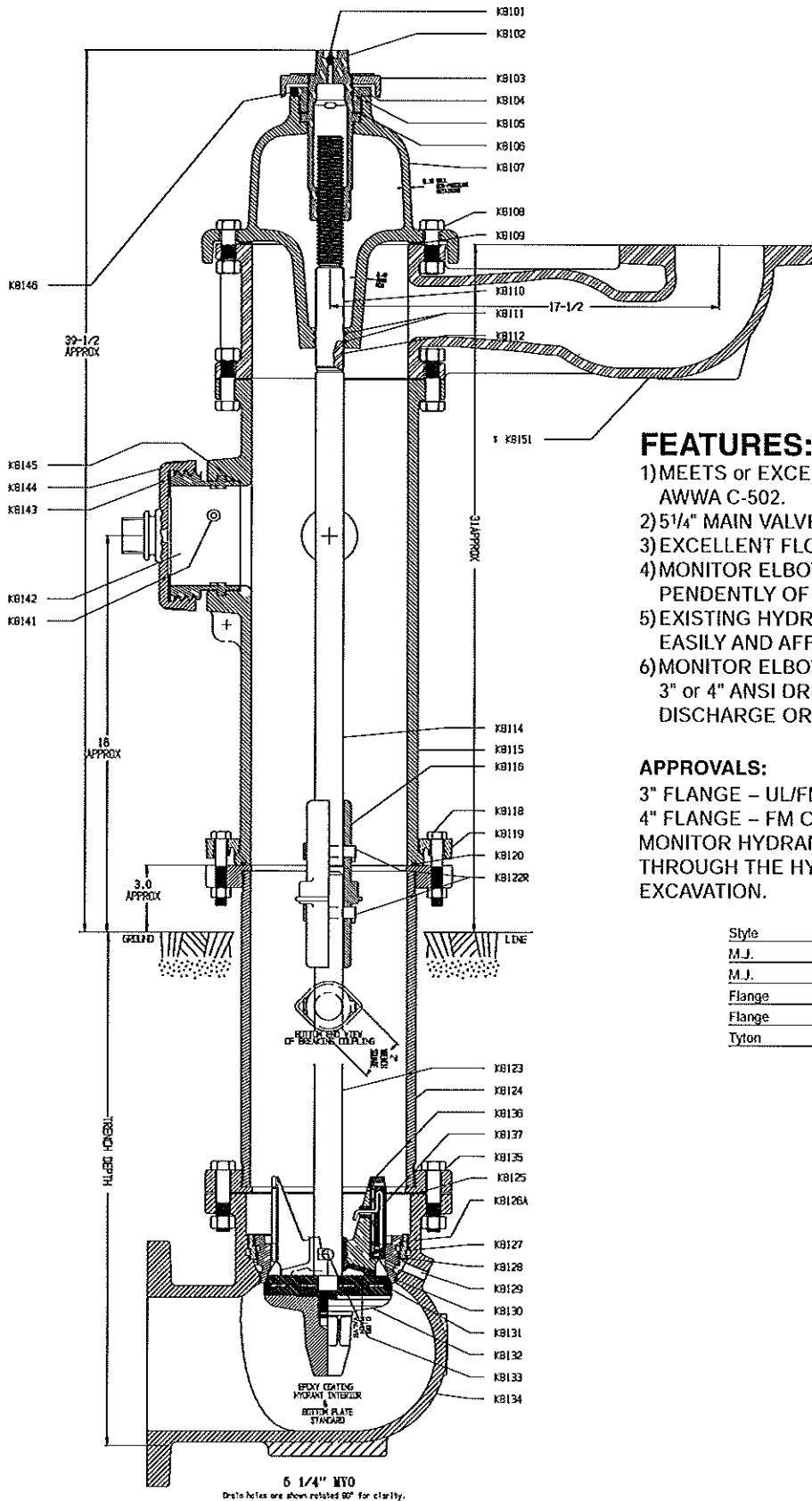




Reference nos. and dimensions

AVK ref. nos.	DN mm	H3 mm	H5 mm	L mm	Theoretical weight kg
27-080-89-12	80	1701	914	343	175
27-100-89-12	100	1701	914	343	175

Kennedy Guardian Monitor Hydrant



5 1/4" K81AM
AWWA
NON-TRAFFIC
MODEL

FEATURES:

- 1) MEETS or EXCEEDS ALL REQUIREMENTS OF AWWA C-502.
- 2) 5 1/4" MAIN VALVE OPENING.
- 3) EXCELLENT FLOW CHARACTERISTICS.
- 4) MONITOR ELBOW CAN BE POSITIONED INDEPENDENTLY OF THE UPPER BARREL.
- 5) EXISTING HYDRANTS CAN BE RETROFITTED EASILY AND AFFORDABLY.
- 6) MONITOR ELBOW IS AVAILABLE WITH EITHER 3" or 4" ANSI DRILLING WITH THE SAME LARGE DISCHARGE ORIFICE.

APPROVALS:

- 3" FLANGE – UL/FM APPROVED
 - 4" FLANGE – FM ONLY
- MONITOR HYDRANT CAN BE MAINTAINED THROUGH THE HYDRANT CAP WITHOUT EXCAVATION.

Style	Shoe Size	A
M.J.	4	7 3/4
M.J.	6	8
Flange	4	7 7/8
Flange	6	8 1/8
Tyton	6	9

5 1/4" K81AM AWWA Guardian Monitor Hydrant

Options:

Upper Barrel Configurations

- 1 Steamer & 2 Hose Nozzles
- 2 Hose Nozzles
- 2 Steamer Nozzles
- 1 Steamer & 3 Hose Nozzles

Handwheel Operation – 16" ϕ

Inlet Connections

- 6" Mechanical Joint, Flanged, Push-on or Ring Tite Elbows
- 6" ANSI Straight Shoe
- 6" 250# Raised Face Elbow
- 8" Mechanical Joint or Flanged Elbow

2 1/2" Size Independent Hose Gate Valves

- Bolt-on/Figure 109XNS
- Screw-on/Figure 109XMN

Salt Water Protection

- Fusion Bonded Coatings
- Stainless Steel Stems & Fasteners

Operating Details

- "Open" Clockwise or Counter Clockwise
- Any Size & Shape of Operating Nuts
- Any Nozzle Outlet Thread(s)

PARTS LIST

DETAIL	PART	MATERIAL	ASTM SPEC (or as stated)
	K8101	ALEMITE FITTING	STAINLESS STEEL
†	K8102	OPERATING STEM NUT	BRONZE
	K8103	DIRT SHIELD	CAST IRON
	K8104	STEM LOCK NUT	BRONZE
†	K8105	O-RING	BUNA-N (SYN. RUBBER)
†	K8106	THRUST WASHER	NYLATRON GS
	K8107	HYDRANT CAP	CAST IRON
	K8108	CAP BOLTS & NUTS	STEEL (ZINC PLATED)
†	K8109	CAP GASKET	CLOTH INSERTED RUBBER
*	K8110	STEM FERRULE	NAVAL BRASS
†	K8111	O-RING	BUNA-N (SYN. RUBBER)
*	K8112	O-RING	BUNA-N (SYN. RUBBER)
	K8114	UPPER STEM	H.R. STEEL
	K8115	UPPER BARREL	CAST IRON
	K8116	STEM BREAKING COUPLING	CAST IRON
	K8118	BOLTS & NUTS	STEEL (ZINC PLATED)
	K8119	BREAKING RING	CAST IRON
	K8120	O-RING	BUNA-N (SYN. RUBBER)
	K8122	CLEVIS PINS	STAINLESS STEEL (18-8)
	K8123	LOWER STEM	H.R. STEEL
	K8124	LOWER BARREL	DUCTILE IRON (or C.I.)
†	K8125	ELBOW GASKET	CELLULOSE FIBER
†	K8126A	O-RING	BUNA-N (SYN. RUBBER)
*	K8127	SEAT RING INSERT	BRONZE
†	K8128	SEAT RING	BRONZE
	K8129	DRAIN TUBE	NAVAL BRASS
†	K8130	O-RING	BUNA-N (SYN. RUBBER)
†	K8131	MAIN VALVE	NEOPRENE W/STL. INSERT
	K8132	BOTTOM PLATE	CAST IRON
	K8133	DRAIN VALVE PIN	STEEL-STAINLESS
	K8134	ELBOW	CAST IRON
	K8135	ELBOW BOLTS AND NUTS	STAINLESS STEEL
†	K8136	DRAIN VALVE	BRONZE
	K8137	DRAIN VALVE FACING W/INSERT	BUNA-N W/STAINLESS STEEL
*	K8139	NOZZLE CAP CHAIN	STEEL
*	K8140	NOZZLE CHAIN BAND	STEEL
†	K8141	NOZZLE RETAINING SCREW	STAINLESS STEEL
#	K8142	NOZZLE	BRONZE
#	K8143	NOZZLE CAP GASKET	NEOPRENE RUBBER
#	K8144	NOZZLE CAP	CAST IRON
†#	K8145	O-RING	BUNA-N (SYN. RUBBER)
	K8146	ALLEN HEAD SET SCREW	STAINLESS STEEL
†	K8147	SEAT REMOVAL WRENCH	
	K8148	NOZZLE REMOVAL TOOLS	
†	K8149	COLLISION REPAIR KIT	
	K8150	GRADE EXTENSION KIT	
	K8151	MONITOR ELBOW-SPECIAL	

* = Denotes that part is available only as part of an assembly
 # = Must specify type of Nozzle, Hose or Steamer.
 † Recommended spare parts.

